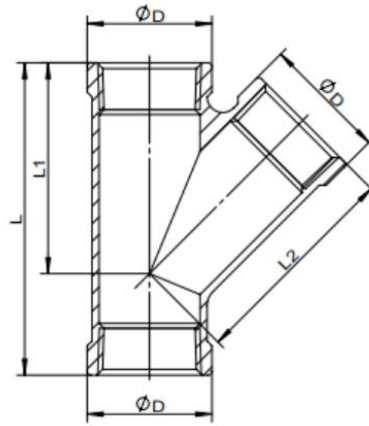


Stainless Steel 150lb Thread Pipe Fitting

45 Deg Equal Tee (45TB)

ISO4144 Standard



Size	1/8"	1/4"	3/8"	1/2"	3/4"	1"	1 1/4"	1 1/2"	2"	2 1/2"	3"	4"
Ø D		18	21.5	26.5	32	39.5	48.5	55	67			
L±0.5		55	60	65	80	90	104	120	138			
L1±0.5		32.5	38	45.5	54	65	75	88	105			
L2±0.5		33	38.5	46.5	55.5	66	76	88	107			