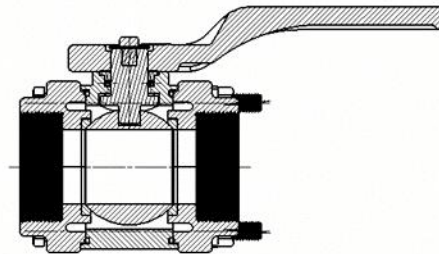
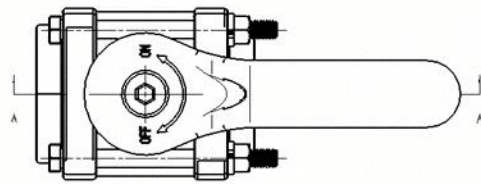
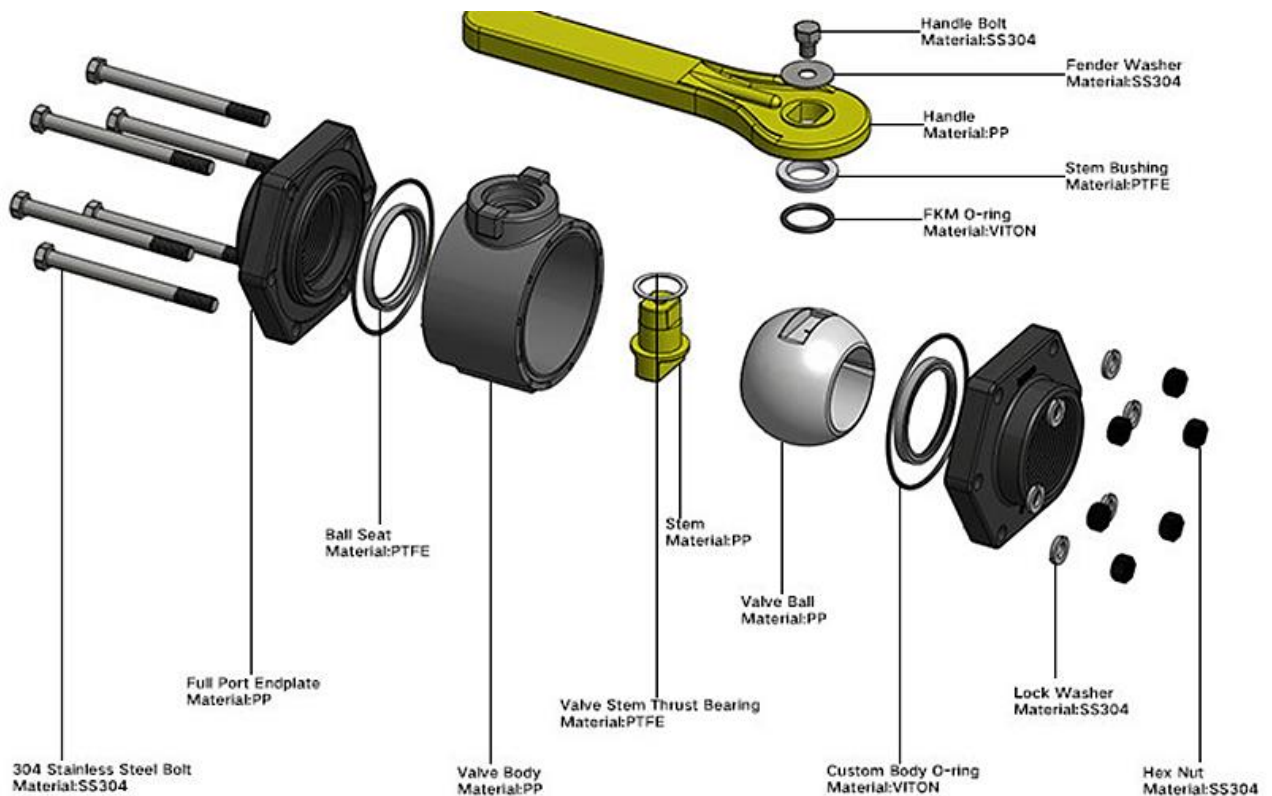


Polypropylene Inline Bolted Ball Valve

Polypropylene Inline Bolted Ball Valve (3PC Full Bore)



SECTION A - A



Polypropylene Inline Bolted Ball Valve

MATERIAL LIST

ITEM	PART	MATERIAL
1	4 Bolts	SUS304
2	End Cap	PP
3	Ball Seat	PTFE
4	Valve Body	PP
5	Stem	PP
6	Thrust Washer	PTFE
7	Ball O-Ring	Viton
8	Lock Washer	SUS304
9	Hex Nut	SUS304
10	FKM O-Ring	Viton
11	Stem Bushing	PTFE
12	Handle	PP
13	Handle Bolt	SUS304

3pc Polypropylene Bolted Ball Valve

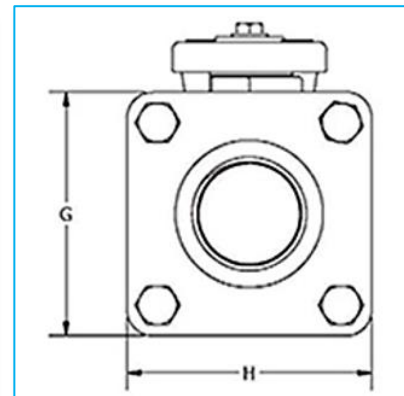
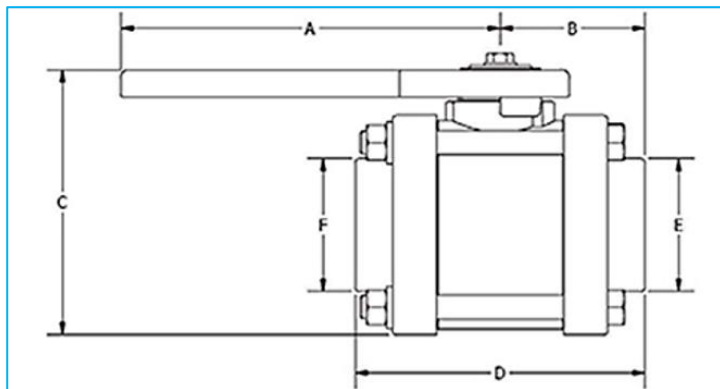
Thread: NPT/BSPP

Material: Fiberglass reinforced PP

Features:

- 1) Precision molded in polypropylene
- 2) Working Pressure :150PSI
- 3) Adjustable stem packing
- 4) Pure PTFE and Viton seals and seats
- 5) Temperature range: -20 to 150 degree F
- 6) Sizes 1/2" thru 2" have a four-bolt construction. 2" full port, and 3" full port have six bolt construction. All have Viton O-Rings and PTFE seats as a standard.
- 7)100% leakage test pressure:225 Psi
- 8) SS Handle Locking device (optional)

Applications: Water, Hot or Cold corrosive fluids in harsh environment



Polypropylene Inline Bolted Ball Valve (3PC Full Bore)

ICM CODE	SIZE	A	B	C	D	E	F	G	H
PP3BV15	1/2"	155	45	100	90	45	45	64	64
SS3BV20	3/4"	155	45	100	90	45	45	64	64
SS3BV25	1"	155	50	115	102	57	57	76	76
SS3BV32	1 1/4"	155	50	115	102	57	57	76	76
SS3BV40	1 1/2"	165	55	130	115	67	67	89	89
SS3BV50-4	2"	165	60	145	123	76	76	105	105
SS3BV50-6	2"	165	65	155	123	76	76	120	120
SS3BV80	3"	245	85	215	175	108	108	160	160
SS3BV100	4"	245	100	255	195	137	137	195	195
SS3BV50-3W	2"	235	140	200	285	80	80	107	107
SS3BV50-3WR	2"	235	145	200	280	80	80	107	107

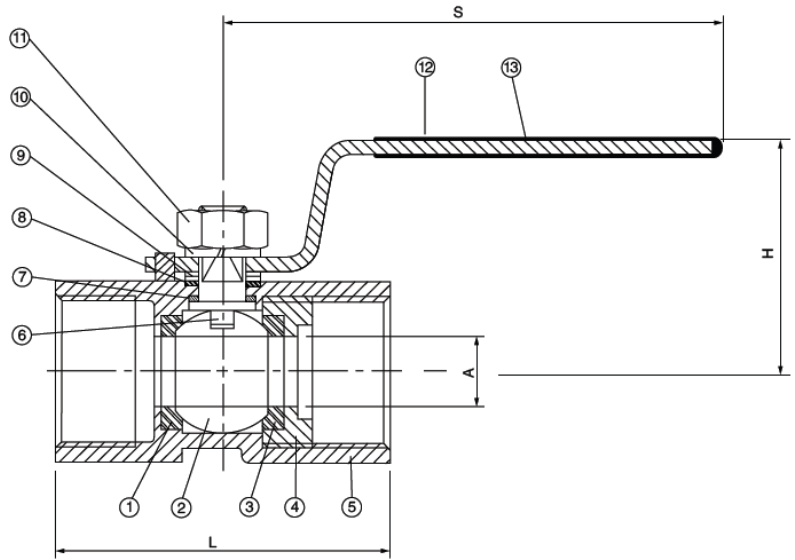
Polypropylene Inline Bolted Ball Valve

Polypropylene Inline Bolted Ball Valve (3PC Full Bore) More Photos:



Stainless Steel Industrial Valve

Stainless Steel Ball Valve (1PC Reducing Bore with lock)



MATERIAL LIST

ITEM	PART	MATERIAL
1	Seat	PTFE
2	Ball	SUS316
3	Joint Gasket	PTFE
4	Body Insert	CF8M
5	Body	CF8M
6	Stem	SS316
7	Thrust Washer	PTFE
8	Stem Packing	PTFE
9	Gland Nut	SUS304
10	Stem Washer	SUS304
11	Stem Nut	SUS304
12	Plastic Sleeve	Plastic
13	Handle	SUS304

1pc Stainless Steel Ball Valve

Thread: NPT, BSPT, BSPP, DIN2999, ISO228/1

Material: ASTM A351 CF8, CF8M

Features:

- 1) Investment casting body
- 2) Working Pressure 800/1000Psi for W.O.G.
- 3) Adjustable stem packing
- 4) Pure teflon seals and seats
- 5) Temperature range:-60 to 450 deg F
- 6) Blow-out proof stem and safe pressure-reducing hole
- 7)100% leakage test pressure:1500 Psi
- 8) Locking device (optional)

Applications: For Air, Water, Hot or Cold corrosive fluids in harsh environment

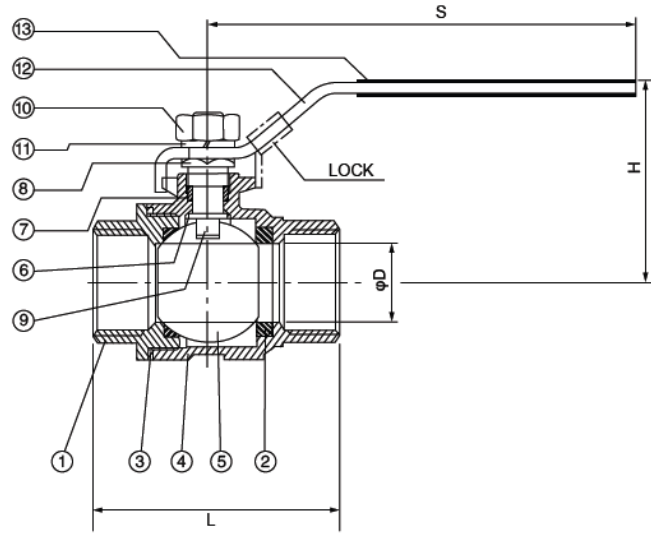
Stainless Steel Ball Valve (1PC Reducing Bore)

ICM CODE	SIZE	S	H	A	L	TORQUE	Kg/pc
SS1BV08	1/4"	68	32.0	5.0	40.0	12	0.06
SS1BV10	3/8"	68	33.0	7.0	45.0	12	0.09
SS1BV15	1/2"	95	42.0	9.0	56.0	12	0.15
SS1BV20	3/4"	95	45.0	12.5	59.0	18	0.22
SS1BV25	1"	95	48.0	15.0	71.0	36	0.36
SS1BV32	1 1/4"	106	58.0	20.0	76.0	54	0.55
SS1BV40	1 1/2"	128	67.0	25.0	84.0	72	0.86
SS1BV50	2"	130	74.0	32.0	99.0	84	1.29
SS1BV65	2 1/2"	170	85.0	38.0	110.0		2.15
SS1BV80	3"	170	85.0	50.0	132.0		3.4
SS1BV100	4"	225	121.5	64.0	180.0		5.9

Applications: For Air, Water, Hot or Cold corrosive fluids in harsh environment

Stainless Steel Industrial Valve

Stainless Steel Ball Valve (2PC Ball Valve 1000PSI)



MATERIAL LIST

ITEM	PART	MATERIAL
1	Cap	CF8M
2	Ball Seat	PTFE
3	John Gasket	PTFE
4	Body	CF8M
5	Ball	SUS316
6	Thrust Washer	PTFE
7	Stem Packing	PTFE
8	Gland Nut	SUS304
9	Stem	SUS316
10	Stem Nut	SUS304
11	Spring Washer	SUS304
12	Handle	SUS304
13	Plastic Sleeve	Plastic

2PC Stainless Steel Ball Valve

Thread: NPT, BSPT, BSPP, DIN2999, ISO228/1

Material:ASTM A351 CF8, CF8M

Features:

- 1) Investment casting body
- 2) Working Pressure 1000Psi for W.O.G.
- 3) Adjustable stem packing
- 4) Pure teflon seals and seats
- 5) Temperature range:-60 to 450 deg F
- 6) Blow-out proof stem and safe pressure-reducing hole
- 7)100% leakage tested at 100Psi air under water
- 8) Hydrostatic test pressure:1500 Psi
- 9) Locking device (optional)

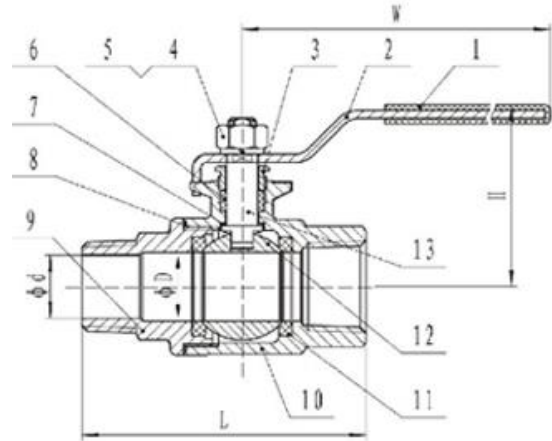
Stainless Steel Ball Valve (2PC Ball Valve 1000PSI)

ICM CODE	SIZE	D	L	H	S	TORQUE	Kg/pc
SS2BV08	1/4"	12.5	50.0	49.0	106.0	36	0.19
SS2BV10	3/8"	12.5	50.0	49.0	106.0	36	0.19
SS2BV15	1/2"	15.0	53.0	51.0	106.0	43	0.24
SS2BV20	3/4"	20.0	65.0	58.0	116.0	65	0.36
SS2BV25	1"	25.0	73.0	73.0	148.0	101	0.58
SS2BV32	1 1/4"	32.0	85.0	79.0	148.0	158	0.9
SS2BV40	1 1/2"	38.0	94.0	85.0	182.0	187	1.2
SS2BV50	2"	50.0	112.0	95.0	182.0	230	1.73
SS2BV65	2 1/2"	65.0	147.0	126.0	252.0	430	3.83
SS2BV80	3"	76.0	173.0	138.0	252.0	1380	5.74
SS2BV100	4"	94.0	222.0	158.0	283.0	2400	10.7

Applications: For Air, Water, Hot or Cold corrosive fluids in harsh environment

Stainless Steel Industrial Valve

Stainless Steel Ball Valve (2PC M/F Ball Valve)



MATERIAL LIST

ITEM	PART	MATERIAL
1	PLASTIC COVER	PLASTIC
2	HANDLE	SUS304
3	GLAND NUT	SUS304
4	STEM NUT	SUS304
5	THRUST WASHER	SUS304
6	STEM PACKING	PTFE
7	STEM SEAL	PTFE
8	BODY SEAL	PTFE
9	CAP	CF8/CF8M
10	BODY	CF8/CF8M
11	SEAT	RPTFE
12	BALL	CF8/CF8M
13	STEM	SUS304

2pc M/F Stainless Steel Ball Valve

Thread: NPT, BSPT, BSPP, DIN2999, ISO228/1

Material: ASTM A351 CF8, CF8M

Features:

- 1) Investment casting body
- 2) Working Pressure 1000Psi for W.O.G.
- 3) Adjustable stem packing
- 4) Pure teflon seals and seats
- 5) Temperature range: -60 to 450 deg F
- 6) Blow-out proof stem and safe pressure-reducing hole
- 7) 100% leakage tested at 100Psi air under water
- 8) Hydrostatic test pressure: 1500 Psi
- 9) Locking device (optional)
- 10) Inspection Testing: API598, EN12266

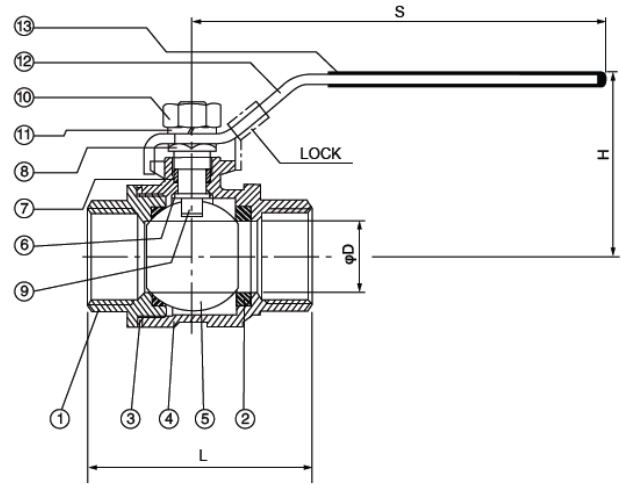
Stainless Steel Ball Valve (2PC M/F Ball Valve)

ICM CODE	SIZE	D	d	W	H	L	Kg/pc
SS2BV08MF	1/4"	12.5	8	106	49	55	0.19
SS2BV10MF	3/8"	12.5	8	106	49	55	0.19
SS2BV15MF	1/2"	15	13.6	106	51	67.5	0.24
SS2BV20MF	3/4"	20	18.2	116	58	78	0.36
SS2BV25MF	1"	25	23	148	73	91	0.58
SS2BV32MF	1 1/4"	32	31	148	79	101	0.9
SS2BV40MF	1 1/2"	38	36	182	85	107	1.2
SS2BV50MF	2"	50	48	182	95	132	1.73
SS2BV65MF	2 1/2"						
SS2BV80MF	3"						
SS2BV100MF	4"						

Applications: For Air, Water, Hot or Cold corrosive fluids in harsh environment

Stainless Steel Industrial Valve

Stainless Steel Ball Valve (2PC 2000PSI Ball Valve)



MATERIAL LIST

ITEM	PART	MATERIAL
1	Cap	CF8M
2	Ball Seat	PTFE
3	John Gasket	PTFE
4	Body	CF8M
5	Ball	SUS316
6	Thrust Washer	PTFE
7	Stem Packing	PTFE
8	Gland Nut	SUS304
9	Stem	SUS316
10	Stem Nut	SUS304
11	Spring Washer	SUS304
12	Handle	SUS304
13	Plastic Sleeve	Plastic

2pc Heavy Duty 2000PSI Stainless Steel Ball Valve

Thread: NPT, BSPT, BSPP, DIN2999, ISO228/1

Material: ASTM A351 CF8, CF8M

Features:

- 1) Investment casting body
- 2) Working Pressure 2000Psi for W.O.G.
- 3) Adjustable stem packing
- 4) Pure teflon seals and seats
- 5) Temperature range: -60 to 450 deg F
- 6) Blow-out proof stem and safe pressure-reducing hole
- 7) 100% leakage tested at 100Psi air under water
- 8) Hydrostatic test pressure: 3000Psi for 1/4" to 1" 1800Psi for 1 1/4" to 4"
- 9) Locking device (optional)

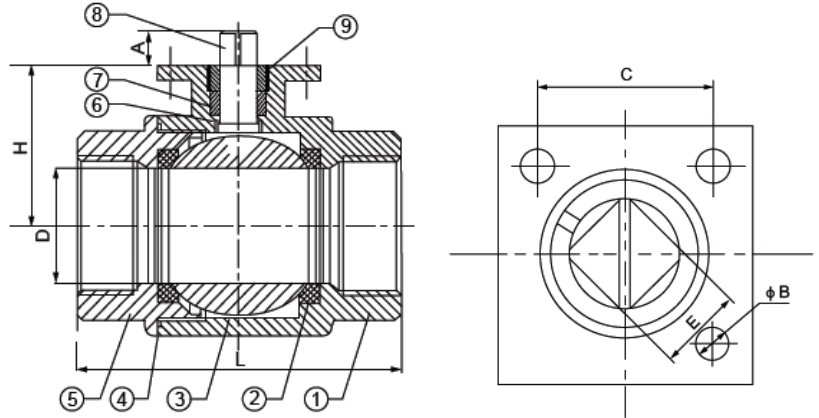
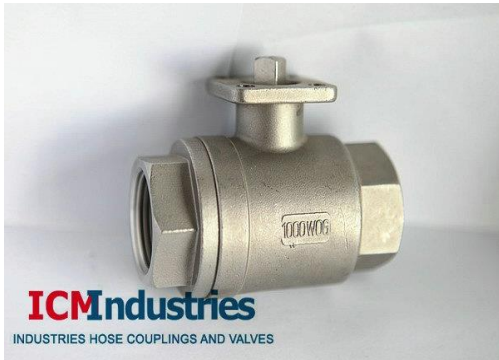
Stainless Steel Ball Valve (2PC 2000PSI Ball Valve)

ICM CODE	SIZE	D	L	H	S	TORQUE	Kg/pc
SS2BV08HP	1/4"	12.7	47.3	46.6	99.5		
SS2BV10HP	3/8"	12.7	47.3	46.6	99.5		
SS2BV15HP	1/2"	15.0	58.2	48.2	99.5		
SS2BV20HP	3/4"	20.0	65.5	61.7	126.5		
SS2BV25HP	1"	25.0	76.5	69.3	126.5		
SS2BV32HP	1 1/4"	32.0	90.0	80.7	153.0		
SS2BV40HP	1 1/2"	38.0	98.3	87.2	153.0		
SS2BV50HP	2"	50.8	121.7	95.4	192.0		
SS2BV65HP	2 1/2"	65.0	145.2	119.5	248.0		
SS2BV80HP	3"	76.0	167.0	130	248.0		
SS2BV100HP	4"	100.0	224.0	167.2	320.0		

Applications: For Air, Water, Hot or Cold corrosive fluids in harsh environment

Stainless Steel Industrial Valve

Stainless Steel Ball Valve (ISO 5211 Mount Pad 2PC Ball Valve)



MATERIAL LIST

ITEM	PART	MATERIAL
1	Body	CF8M
2	Ball Seat	PTFE
3	Ball	SUS316
4	John Gasket	PTFE
5	Cap	CF8M
6	Thrust Washer	PTFE
7	Stem Packing	PTFE
8	Stem	SUS316
9	Gland Nut	SUS304

2pc Stainless Steel Ball Valve with Mount Pad ISO5211

Thread: NPT, BSPT, BSPP, DIN2999, ISO228/1

Material: ASTM A351 CF8, CF8M

Features:

- 1) Investment casting body
- 2) Working Pressure 1000Psi for W.O.G.
- 3) Adjustable stem packing
- 4) Pure teflon seals and seats
- 5) Temperature range:-60 to 450 deg F
- 6) Blow-out proof stem and safe pressure-reducing hole
- 7) 100% leakage tested at 100Psi air under water
- 8) Hydrostatic test pressure: 1500 Psi
- 9) Locking device (optional)

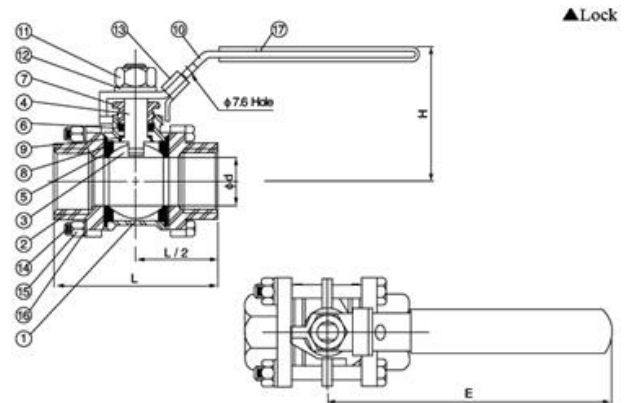
Stainless Steel Ball Valve (ISO 5211 Mount Pad 2PC Ball Valve)

ICM CODE	SIZE	A	H	D	L	TORQUE	Kg/pc
SS2BV08MP	1/4"	9.0	36.5	12.7	46.8		
SS2BV10MP	3/8"	9.0	36.5	12.7	46.8		
SS2BV15MP	1/2"	9.0	39.5	15.0	58.7		
SS2BV20MP	3/4"	9.0	39.5	20.0	65.7		
SS2BV25MP	1"	9.0	47.5	25.0	77.0		
SS2BV32MP	1 1/4"	9.0	53.0	32.0	90.0		
SS2BV40MP	1 1/2"	11.0	61.5	38.0	98.0		
SS2BV50MP	2"	11.0	70.5	50.8	121.0		
SS2BV65MP	2 1/2"	14.0	86.7	65.0	145.2		
SS2BV80MP	3"	14.0	105.0	76.0	167.2		
SS2BV100MP	4"	17.0	124.7	100.0	223.5		

Applications: For Air, Water, Hot or Cold corrosive fluids in harsh environment

Stainless Steel Industrial Valve

Stainless Steel Ball Valve (3PC Ball Valve 1000PSI)



MATERIAL LIST

ITEM	PART	MATERIAL
1	Body	CF8M
2	End Cap	CF8M
3	Ball	SUS316
4	Stem	SUS316
5	Ball Seat	PTFE
6	Stem Packing	PTFE
7	Gland Nut	SUS304
8	End Seal	PTFE
9	Thrust Washer	PTFE
10	Handle	SUS304
11	Stem Nut	SUS304
12	Spring Washer	SUS304
13	Locking Device	SUS304
14	Bolts	SUS304
15	Bolts Nuts	SUS304
16	Bolts Washer	PTFE
17	Plastic Sleeve	Plastic

3pc Thread Stainless Steel Ball Valve

Thread: NPT, BSPT, BSPP, DIN2999, ISO228/1

Material: ASTM A351 CF8, CF8M

Features:

- 1) Investment casting body
- 2) Working Pressure: 1/4"-2" 1000Psi,
2 1/2"-4" 800Psi for W.O.G.
- 3) Adjustable stem packing
- 4) Pure teflon seals and seats
- 5) Temperature range: -60 to 450 deg F
- 6) Blow-out proof stem
- 7) 100% leakage tested at 100Psi air under water
- 8) Hydrostatic test pressure: 1/4"-2" 1500Psi, 2 1/2"-4" 1200Psi.
- 9) Locking device (optional)

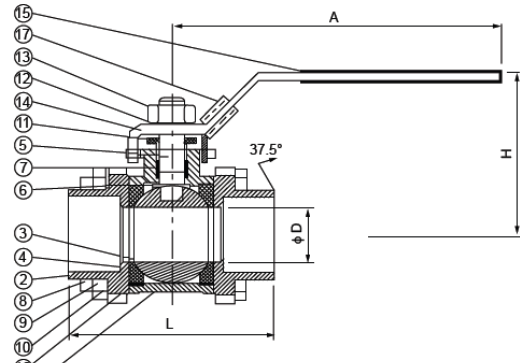
Stainless Steel Ball Valve (3PC Ball Valve 1000PSI)

ICM CODE	SIZE	D	L	H	E	TORQUE	Kg/pc
SS3BV08	1/4"	12.5	51.0	43.5	103.0	40	0.29
SS3BV10	3/8"	12.5	51.0	44.5	103.0	40	0.29
SS3BV15	1/2"	15.0	63.0	50.0	103.0	43	0.43
SS3BV20	3/4"	20.0	71.0	59.0	127.0	65	0.61
SS3BV25	1"	25.0	80.0	68.0	127.0	101	0.80
SS3BV32	1 1/4"	32.0	94.0	79.0	154.0	158	1.43
SS3BV40	1 1/2"	38.0	103.0	83.0	154.0	187	1.73
SS3BV50	2"	50.0	126.0	94.0	195.0	230	2.72
SS3BV65	2 1/2"	65.0	158.0	135.0	244.0	430	5.44
SS3BV80	3"	76.0	179.0	144.0	244.0	1380	7.64
SS3BV100	4"	94.0	213.0	149.0	285.0	2400	15.78

Applications: For Air, Water, Hot or Cold corrosive fluids in harsh environment

Stainless Steel Industrial Valve

Stainless Steel Ball Valve (3PC Butt Weld Ball Valve 1000PSI)



MATERIAL LIST

ITEM	PART	MATERIAL
1	Body	CF8M
2	End Cap	CF8M
3	Ball	SUS316
4	Seat	PTFE
5	Stem	SUS316
6	Thrust Washer	PTFE
7	Stem Packing	PTFE
8	Bolts	SUS304
9	Bolts Nuts	SUS304
10	Bolts Washer	PTFE
11	Gland Nut	SUS304
12	Stem Washer	PTFE
13	Stem Nut	SUS304
14	Handle	SUS304
15	Plastic Sleeve	Plastic
16	End Seal	PTFE
17	Locking Device	SUS304

3pc Butt Weld Stainless Steel Ball Valve

Material: ASTM A351 CF8, CF8M

Features:

- 1) Investment casting body
- 2) Working Pressure 1000Psi for W.O.G.
- 3) Adjustable stem packing
- 4) Pure teflon seals and seats
- 5) Temperature range: -60 to 450 deg F
- 6) Blow-out proof stem
- 7) 100% leakage tested at 100Psi air under water
- 8) Hydrostatic test pressure: 1500Psi.
- 9) Locking device (optional)

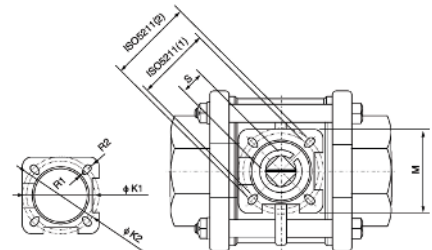
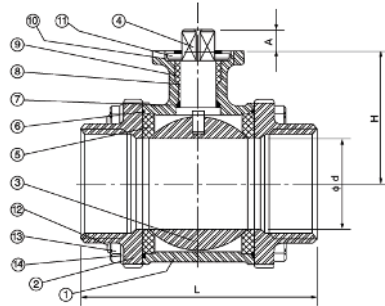
Stainless Steel Ball Valve (3PC Butt Weld Ball Valve 1000PSI)

ICM CODE	SIZE	A	H	D	L	TORQUE	Kg/pc
SS3BV08BW	1/4"	99.5	45.5	12.7	57.5	40	
SS3BV10BW	3/8"	99.5	45.5	12.7	59.0	40	
SS3BV15BW	1/2"	99.5	48.0	15.0	62.8	43	
SS3BV20BW	3/4"	126.5	61.5	20.0	78.0	65	
SS3BV25BW	1"	126.5	68.0	25.0	82.2	101	
SS3BV32BW	1 1/4"	153.0	79.0	32.0	97.6	158	
SS3BV40BW	1 1/2"	153.0	86.5	38.0	107.6	187	
SS3BV50BW	2"	192.0	94.5	50.8	119.7	230	
SS3BV65BW	2 1/2"	248.0	119.5	65.0	162.7	430	
SS3BV80BW	3"	248.0	130.0	76.0	175.6	1380	
SS3BV100BW	4"	320.0	167.0	100.0	219.5	2400	

Applications: For Air, Water, Hot or Cold corrosive fluids in harsh environment

Stainless Steel Industrial Valve

Stainless Steel Ball Valve (3PC ISO 5211 Mount Pad Ball Valve)



MATERIAL LIST

ITEM	PART	MATERIAL
1	Body	CF8M
2	End Cap	CF8M
3	Ball	SUS316
4	Stem	SUS316
5	Seat	PTFE
6	Gasket	PTFE
7	Thrust Washer	PTFE
8	Stem Packing	PTFE
9	Gland Nut	SUS304
10	Bevel Washer	PTFE
11	Snap Ring	Sus304
12	Bolts	SUS304
13	Bolts Nuts	SUS304
14	Bolts Washer	PTFE

3pc Stainless Steel Ball Valve with Mount Pad ISO5211

Thread: NPT, BSPT, BSPP, DIN2999, ISO228/1

Material:ASTM A351 CF8, CF8M

Features:

- 1) Investment casting body
- 2) Working Pressure 1/4"-2" 1000Psi,21/2"-4" 800Psi for W.O.G.
- 3) Adjustable stem packing
- 4) Pure teflon seals and seats
- 5) Temperature range:-60 to 450 deg F
- 6) Blow-out proof stem
- 7)100% leakage tested at 100Psi air under water
- 8) Hydrostatic test pressure:1/4"-2" 1500Psi, 21/2"-4" 1200Psi.
- 9) ISO 5211 direct mounting pad(no need for bracket and adapter)
- 10) Handle lever and Locking device (optional)

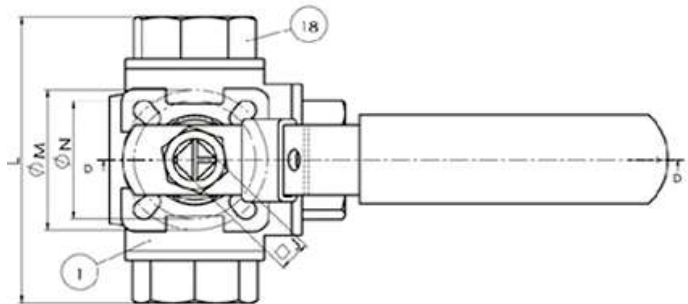
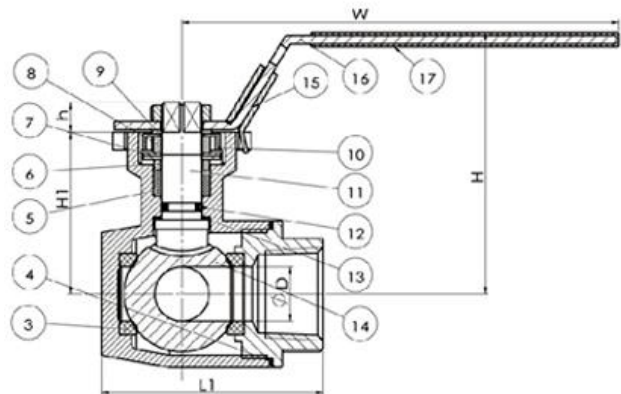
Stainless Steel Ball Valve (3PC ISO5211 Mount Pad Ball Valve 1000PSI)

ICM CODE	SIZE	A	H	D	L	TORQUE	Kg/pc
SS3BV08MP	1/4"	9.0	38.5	12.7	60.3	40	
SS3BV10MP	3/8"	9.0	38.5	12.7	60.3	40	
SS3BV15MP	1/2"	9.0	39.2	15.0	65.5	43	
SS3BV20MP	3/4"	9.0	40.5	20.0	79.0	65	
SS3BV25MP	1"	11.0	49.0	25.0	86.0	101	
SS3BV32MP	1 1/4"	11.0	54.0	32.0	105.0	158	
SS3BV40MP	1 1/2"	14.0	63.2	38.0	118.3	187	
SS3BV50MP	2"	14.0	72.4	50.8	133.0	230	
SS3BV65MP	2 1/2"	17.0	96.5	65.0	166.0	430	
SS3BV80MP	3"	17.0	151.5	76.0	182	1380	
SS3BV100MP	4"	22.0	165.0	100.0	218.4	2400	

Applications: For Air, Water, Hot or Cold corrosive fluids in harsh environment

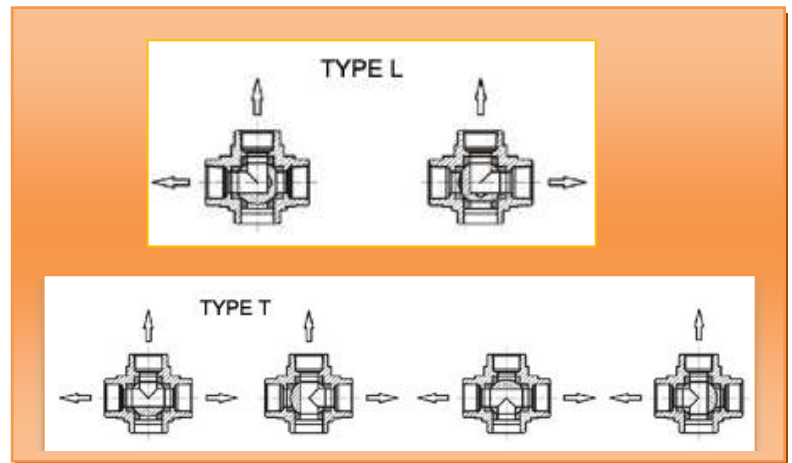
Stainless Steel Industrial Valve

Stainless Steel Ball Valve (3 Way Ball Valve L type and T type)



MATERIAL LIST

ITEM	PART	MATERIAL
1	BODY	CF8/CF8M
2	CAP(A)	CF8/CF8M
3	BALL SEAT	RPTFE
4	BODY PACKING	PTFE
5	STEM PACKING	PTFE
6	GLAND NUT	SUS304
7	SPRING WASHER	SUS301
8	NUT	SUS304
9	WASHER	SUS304
10	THRUST WASHER	SUS304
11	STEM	SUS304
12	O-RING	NBR
13	STEM SEAL	PTFE
14	BALL	CF8/CF8M
15	LOCKING	SUS304
16	HANDLE	SUS304
17	PLASTIC COVER	PLASTIC
18	CAP(B)	CF8/CF8M



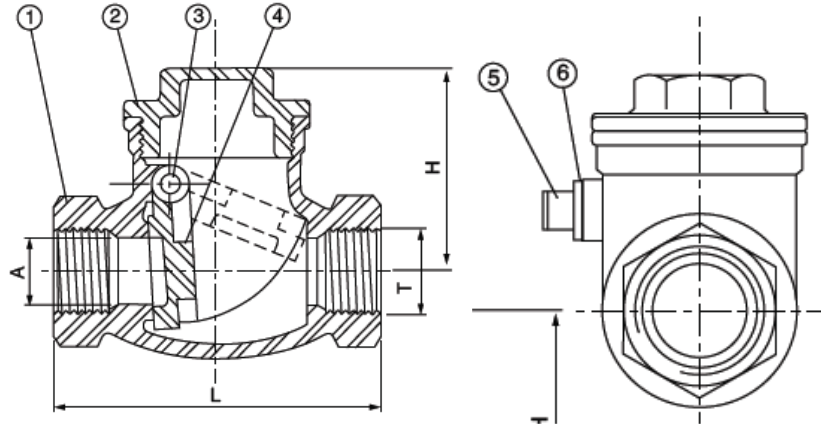
Stainless Steel Ball Valve (3 Way ISO5211 Mount Pad Ball Valve 1000PSI)

ICM CODE	SIZE	D	W	H	H1	h	M	N	J	L	L1
SS3BV08MP	1/4"	9	139	73	42	9	36	42	9	79	64
SS3BV10MP	3/8"	11	139	73	42	9	36	42	9	79	64
SS3BV15MP	1/2"	12.5	139	73	42	9	36	42	9	79	64
SS3BV20MP	3/4"	16	139	80	49	9	36	42	9	83	68
SS3BV25MP	1"	20	160	95	59.5	11	42	50	11	104	82
SS3BV32MP	1 1/4"	25	160	98	63	11	42	50	11	111	90
SS3BV40MP	1 1/2"	32	185	110	73.5	14	50	70	14	126	106
SS3BV50MP	2"	38	185	119	82.8	14	50	70	14	147	123

Applications: For Air, Water, Hot or Cold corrosive fluids in harsh environment

Stainless Steel Industrial Valve

Stainless Steel Wing Check Valve



MATERIAL LIST

ITEM	PART	MATERIAL
1	Body	CF8M
2	Cover	CF8M
3	Handle Pin	SUS316
4	Disc	CF8M
5	Plug	SUS316
6	Plug Gasket	PTFE

Stainless Steel Swing Check Valve

Features:

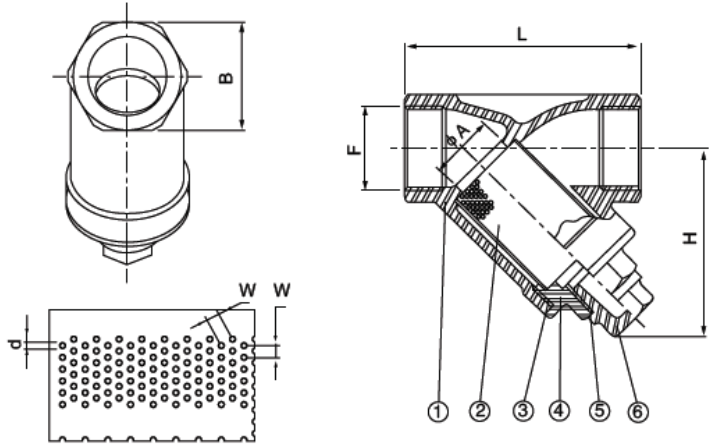
- 1) Material: CF8M, CF8
- 2) Size: 1/4"-2"
- 3) Investment casting body
- 4) Inside screw and screwed cap
- 5) Adjustable stem packing
- 6) Swing type disc, integral seat
- 7) Full port pressure temperature rating 200Psi W.O.G./350 S.P.
- 8) Threaded ends confirm to NPT, BSP, DIN2999, ISO228/1

Stainless Steel Swing Check Valve 200 PSI

ICM CODE	SIZE	A	H	L	TORQUE	Kg/pc
SSSCV08	1/4"	12.5	41.4	56.0		
SSSCV10	3/8"	12.5	41.4	56.0		
SSSCV15	1/2"	15	41	65		
SSSCV20	3/4"	20	53	80		
SSSCV25	1"	25	60	90		
SSSCV32	1 1/4"	32	60	105		
SSSCV40	1 1/2"	38	75	120		
SSSCV50	2"	50	79	140		
SSSCV65	2 1/2"	62	90	156		
SSSCV80	3"	75	100	188		

Stainless Steel Industrial Valve

Stainless Steel Y-Strainer 800Psi



MATERIAL LIST

ITEM	PART	MATERIAL
1	Body	CF8M
2	Screen	SUS316
3	Gasket	PTFE
4	Bonnet	CF8M
5	O-Ring	Viton
6	Blow Off	CF8M

800PSI Y-Strainer

Features:

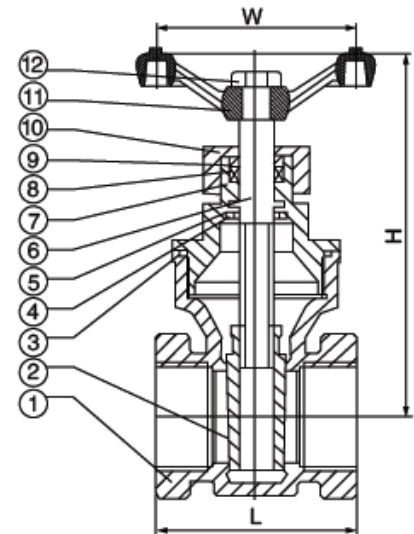
- 1) Size: 1/2"-2"
- 2) The end to end thread conforms to NPT, BSPT, BSP, DIN2599
- 3) Material: CF8M, CF8
- 4) Investment casting body 800 PSI
- 5) Max. pressure 800PSI, max. working temperature 230 deg C.

Stainless Steel Y-Strainer 800PSI

ICM CODE	SIZE	A	H	L	TORQUE	Kg/pc
SSSCV08	1/4"	12	35	65		
SSSCV10	3/8"	12	35	65		
SSSCV15	1/2"	15	35	65		
SSSCV20	3/4"	20	45	80		
SSSCV25	1"	25	57	90		
SSSCV32	1 1/4"	32	58	105		
SSSCV40	1 1/2"	40	66	120		
SSSCV50	2"	50	78	138		
SSSCV65	2 1/2"	65	106	183		
SSSCV80	3"	76	116	198		

Stainless Steel Industrial Valve

Stainless Steel Gate Valve 200Psi



MATERIAL LIST

ITEM	PART	MATERIAL
1	Body	CF8M
2	Disc	CF8M
3	Seal Ring	SUS316
4	Snap Spring	SUS316
5	Washer	PTFE
6	Stem	SUS316
7	Bonnet	CF8M
8	Stem Packing	PTFE
9	Gasket	PTFE
10	Gland Nut	SUS304
11	Hand wheel	HT(CR)
12	Nut	SUS304

Gate Valve 200PSI

Features:

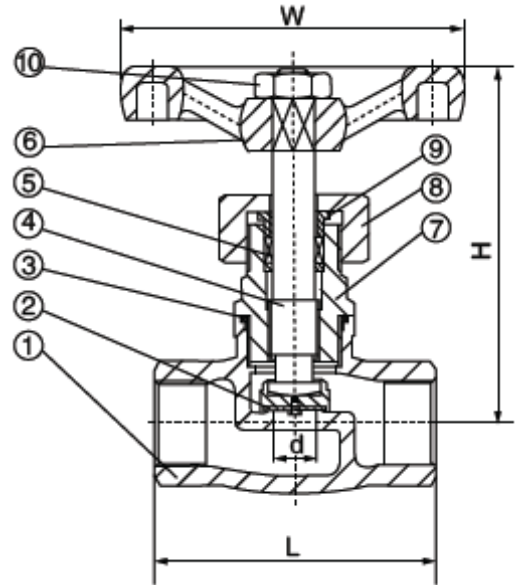
- 1) Size: 1/2"-2"
- 2) Full bore
- 3) Working pressure: 200Psi
- 4) Female threaded end: NPT, BSP, DIN2999
- 5) Material: CF8M, CF8.

Stainless Steel Gate Valve 200PSI

ICM CODE	SIZE	D	H	D1	L	TORQUE	Kg/pc
SSGV15	1/2"	15	51	70	65		
SSGV20	3/4"	20	60	70	80		
SSGV25	1"	25	72	80	90		
SSGV32	1 1/4"	32	77	80	105		
SSGV40	1 1/2"	40	87	100	120		
SSGV50	2"	50	103	100	140		

Stainless Steel Industrial Valve

Stainless Steel Globe Valve 200Psi



MATERIAL LIST

ITEM	PART	MATERIAL
1	Body	CF8M
2	Disc	CF8M
3	Seal Ring	SUS316
4	Stem	SUS316
5	Stem Packing	PTFE
6	Hand Wheel	HT (CR)
7	Bonnet	CF8M
8	Gland Nut	SUS316
9	Packing Gasket	PTFE
10	Nut	SUS316

Globe Valve 200PSI

Features:

- 1) Size: 1/2"-2"
- 2) Full bore
- 3) Working pressure: 200Psi
- 4) Female threaded end: NPT, BSP, DIN2999
- 5) Material: CF8M, CF8.

Stainless Steel Globe Valve 200PSI

ICM CODE	SIZE	D	H	D1	L	TORQUE	Kg/pc
SSGLV15	1/2"	15	100	70	66		
SSGLV20	3/4"	20	106	70	80		
SSGLV25	1"	25	118	80	90		
SSGLV32	1 1/4"	32	134	80	105		
SSGLV40	1 1/2"	40	152	100	120		
SSGLV50	2"	50	172	100	141		