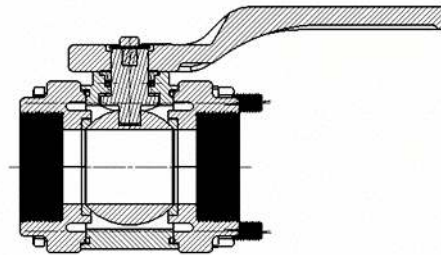
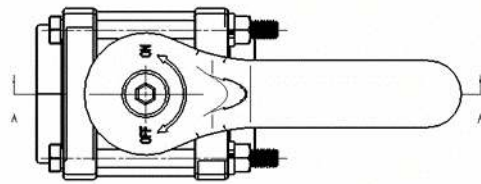
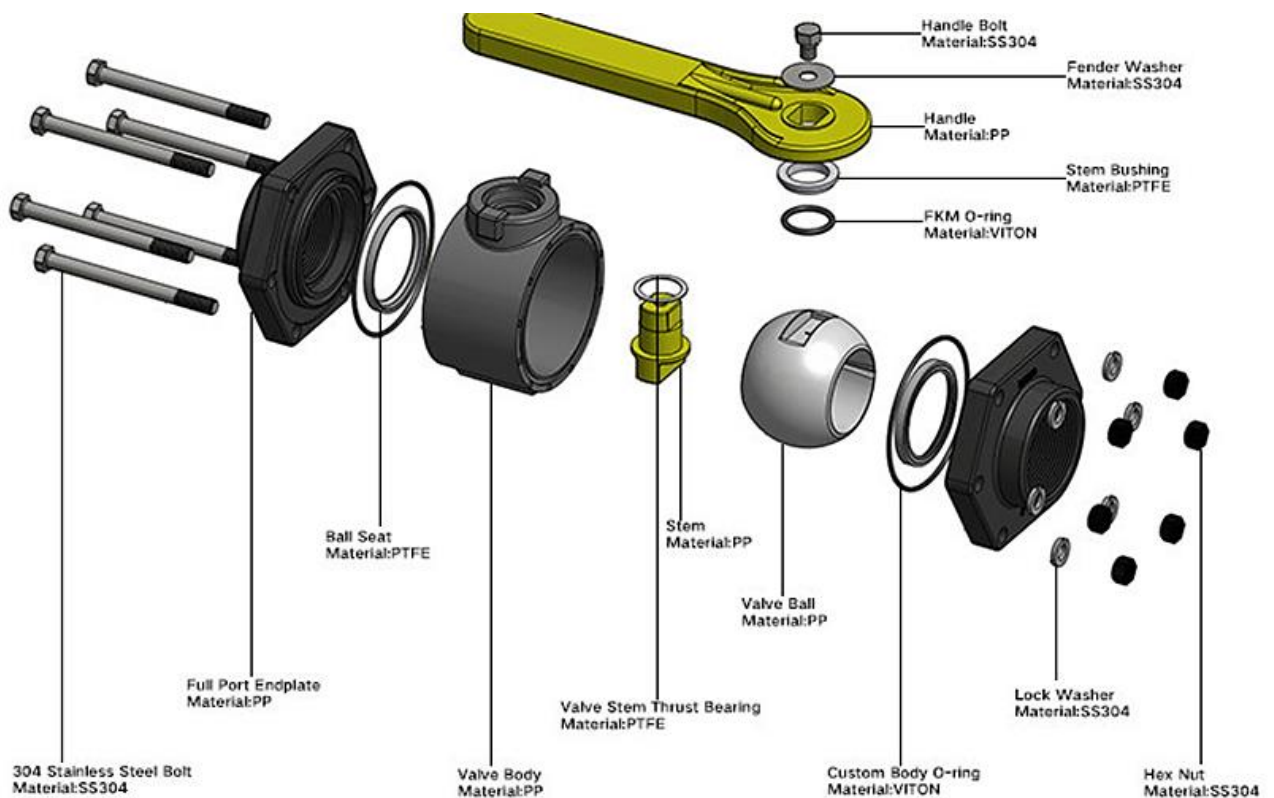


Polypropylene Inline Bolted Ball Valve

Polypropylene Inline Bolted Ball Valve (3PC Full Bore)



SECTION A - A



Polypropylene Inline Bolted Ball Valve

MATERIAL LIST

ITEM	PART	MATERIAL
1	4 Bolts	SUS304
2	End Cap	PP
3	Ball Seat	PTFE
4	Valve Body	PP
5	Stem	PP
6	Thrust Washer	PTFE
7	Ball O-Ring	Viton
8	Lock Washer	SUS304
9	Hex Nut	SUS304
10	FKM O-Ring	Viton
11	Stem Bushing	PTFE
12	Handle	PP
13	Handle Bolt	SUS304

3pc Polypropylene Bolted Ball Valve

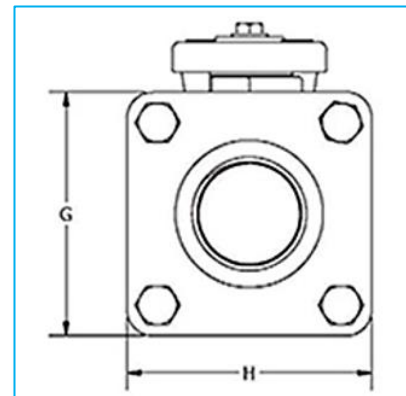
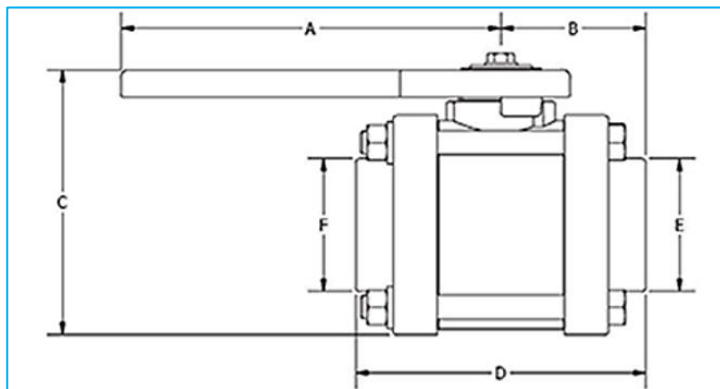
Thread: NPT/BSPP

Material: Fiberglass reinforced PP

Features:

- 1) Precision molded in polypropylene
- 2) Working Pressure :150PSI
- 3) Adjustable stem packing
- 4) Pure PTFE and Viton seals and seats
- 5) Temperature range: -20 to 150 degree F
- 6) Sizes 1/2" thru 2" have a four-bolt construction. 2" full port, and 3" full port have six bolt construction. All have Viton O-Rings and PTFE seats as a standard.
- 7)100% leakage test pressure:225 Psi
- 8) SS Handle Locking device (optional)

Applications: Water, Hot or Cold corrosive fluids in harsh environment



Polypropylene Inline Bolted Ball Valve (3PC Full Bore)

ICM CODE	SIZE	A	B	C	D	E	F	G	H
PP3BV15	1/2"	155	45	100	90	45	45	64	64
SS3BV20	3/4"	155	45	100	90	45	45	64	64
SS3BV25	1"	155	50	115	102	57	57	76	76
SS3BV32	1 1/4"	155	50	115	102	57	57	76	76
SS3BV40	1 1/2"	165	55	130	115	67	67	89	89
SS3BV50-4	2"	165	60	145	123	76	76	105	105
SS3BV50-6	2"	165	65	155	123	76	76	120	120
SS3BV80	3"	245	85	215	175	108	108	160	160
SS3BV100	4"	245	100	255	195	137	137	195	195
SS3BV50-3W	2"	235	140	200	285	80	80	107	107
SS3BV50-3WR	2"	235	145	200	280	80	80	107	107

Polypropylene Inline Bolted Ball Valve

Polypropylene Inline Bolted Ball Valve (3PC Full Bore) More Photos:



Polypropylene Inline Bolted Ball Valve Features:

- 1) Rigid and light weight
- 2) Excellent chemical and corrosion resistance
- 3) Stress cracking resistance
- 4) Low moisture absorption
- 5) High impact resistance
- 6) Cost economic compare to stainless steel ball valve and Brass ball valve

Polypropylene Inline Bolted Ball Valve applications area and media:

- Adhesives, Lubricants, Resins
- Agricultural Fertilizers, Herbicides, Pesticides, Insecticides
- Alkalis, Acids, Solvents, Corrosives
- Circuit Board Chemistry
- Deionized Water
- Industrial Chemicals
- Inks, Paints, Coatings
- Organic & Inorganic Chemicals
- Pharmaceuticals
- Plating
- Pulp & Paper
- Reverse Osmosis
- Soaps & Detergents
- Tank Trucks, Roto molded Tanks, IBCs (Intermediate Bulk Containers)
- Textiles
- Water Treatment, Wastewater

Camlock couplings Available:



If you are interested the PP bolted ball valve and camlocks, please feel free to contact us. We have confidence to get your connections done. We have confidence to offer safer, repeatable and valuable solutions for your hoses and equipment. Contact with us now!

[contactus.html](#)

Contact: Wendy Liu sales@icmhoseind.com

TEL:+86-151-6915-4504

FAX:+86-531-6992-4512

Headquarter:

ICM Industrial Co., Ltd.

Room 501, Unit 1, Building 7, ZhifangStreet, Tianqiao District, Jinan City, Shandong P.R., China.

ZIP Code:250101

Sales:

Wendy Liu MP: +86-18660803139([WhatsApp](#))

Skype: wendyciphappy

Nana Liu MP: +86-15634803035 ([WhatsApp](#))