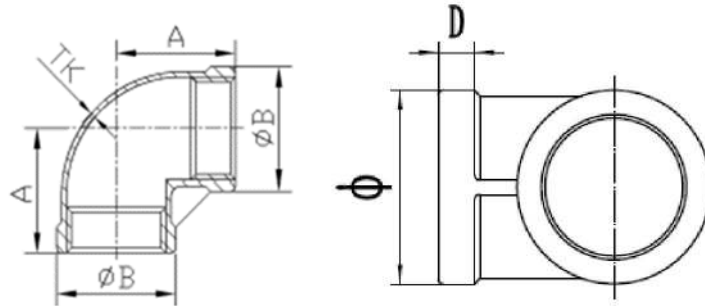


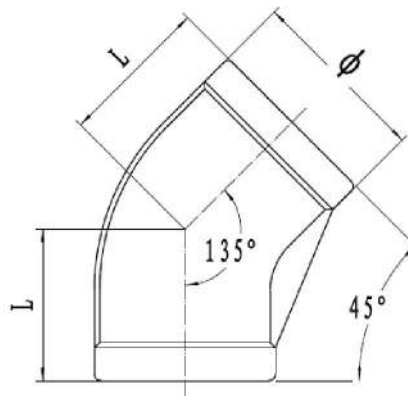
Stainless Steel 150lb Thread Pipe Fitting

90° Elbow (LB)



Size	1/8"	1/4"	3/8"	1/2"	3/4"	1"	1 1/4"	1 1/2"	2"	2 1/2"	3"	4"
A±0.5	20.55	20.42	23.7	28.35	33.2	37.6	45.0	48.7	56.5	67.4	77.6	94.7
Ø	16.5	20.0	23.5	27.6	32.5	40	49.2	61	69.4	84.8	102	126.7

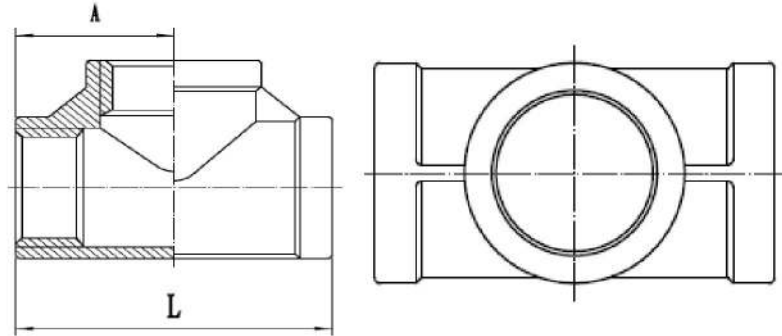
45° Elbow (45LB)



Size	1/8"	1/4"	3/8"	1/2"	3/4"	1"	1 1/4"	1 1/2"	2"	2 1/2"	3"	4"
L ± 0.5	15.6	16.0	17.6	19.2	22.8	26.7	30	32.7	38.6	44.6	50.6	59.5
Ø	16.5	20.0	23.5	27.6	32.5	40	49.2	61	69.4	84.8	102	126.7

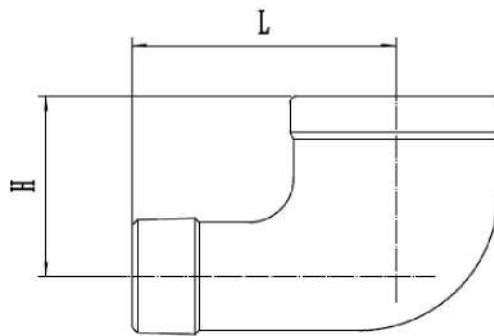
Stainless Steel 150lb Thread Pipe Fitting

Equal Tee (TB)



Size	1/8"	1/4"	3/8"	1/2"	3/4"	1"	1 1/4"	1 1/2"	2"	2 1/2"	3"	4"
L±0.5												
A±0.2	16.5	18.6	22.6	26.4	30.1	36.2	41.9	46.6	55.4	67.1	77.0	92.1

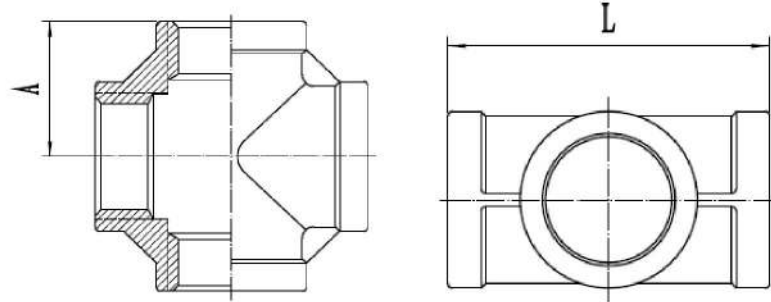
90° Street Elbow (SLB)



Size	1/8"	1/4"	3/8"	1/2"	3/4"	1"	1 1/4"	1 1/2"	2"	2 1/2"	3"	4"
H±0.5	19.2	20.1	22.4	27.8	31.9	37.6	42.9	47.7	56.7	66.6	77.9	95.7
L±0.5	24.3	27.8	32.9	38.2	44.6	51.5	57.1	63	72.1	88	100.7	142.2

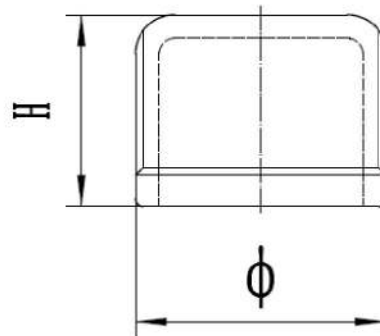
Stainless Steel 150lb Thread Pipe Fitting

Cross (+B)



Size	1/8"	1/4"	3/8"	1/2"	3/4"	1"	1 1/4"	1 1/2"	2"	2 1/2"	3"	4"
L ± 0.5	38	37.6	45.8	53.6	63.4	75.5	91.6	95	113.6	139.3	157	194.7
A ± 0.2	19	19	22.9	26.8	31.7	37.8	45.8	47.5	56.8	69.7	78.5	97.4

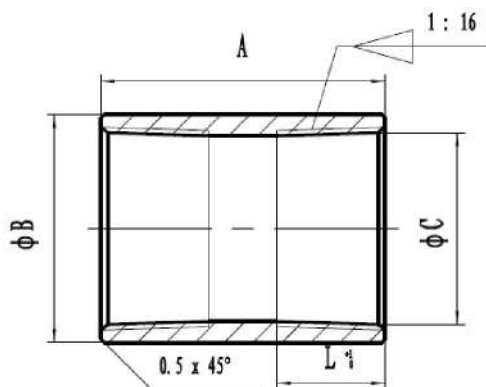
Round Cap (CB)



Size	1/8"	1/4"	3/8"	1/2"	3/4"	1"	1 1/4"	1 1/2"	2"	2 1/2"	3"	4"
H ± 0.5	13.9	15	16.9	19.7	23.3	27.6	29.6	30.5	35	40.5	41.2	45.4
Ø ± 0.2	14.5	17.4	20.7	27.5	32.5	40	49	55.4	68.2	84.4	98.1	122.8

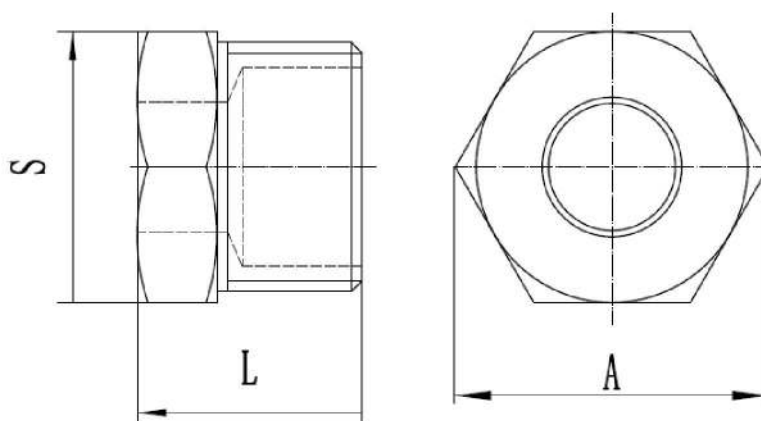
Stainless Steel 150lb Thread Pipe Fitting

Coupling O.D. Machine (SPU)



Size	1/8"	1/4"	3/8"	1/2"	3/4"	1"	1 1/4"	1 1/2"	2"	2 1/2"	2 1/2"	3"	4"
A ±0.3	21.0	24.7	28.2	34.2	37.5	42.5	48.2	51.5	56.0	66.0	66.0	71.2	82.0
B ±0.2	14.5	17.6	21.0	26.0	30.5	38.2	47.0	52.8	67.8	84.5	78.5	97.0	124.0
C NPT	8.73	11.35	14.79	18.32	23.66	29.65	38.45	44.52	56.55		67.72	83.53	108.9
L NPT	6.7	10.2	10.3	13.5	13.8	17.3	17.9	18.3	19.2		28.9	30.4	33.0
C BSP	8.56	11.45	14.95	18.63	24.12	30.29	38.95	44.85	56.66	72.23		84.93	110.1
L BSP	6.5	9.7	10.1	13.2	14.5	16.8	19.1	19.1	23.4	26.7		29.8	35.8

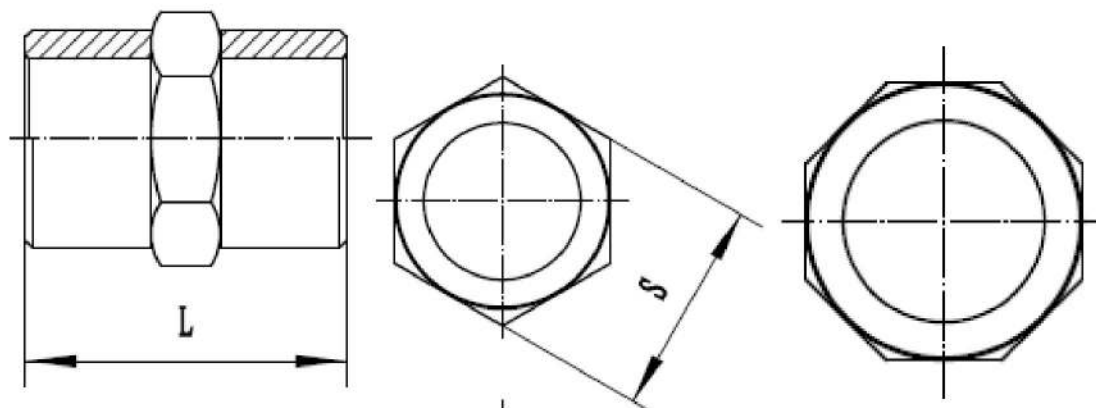
Hex Bush (HB)



Size	1/8"	1/4"	3/8"	1/2"	3/4"	1"	1 1/4"	1 1/2"	2"	2 1/2"	3"	4"
L ±0.5		17.8	18.8	21.7	24.6	29	30	32	36	38.8	46.2	52.7
S ±0.3		16.8	20.7	25.6	30.5	37.2	45.4	52.4	62.3	79.2	92	118
A		19.2	23.7	29.4	34.6	43.2	52.2	60.3	71.7	85.6	99.5	127.6
SW		6	6	6	6	6	6	6	6	6	8	8

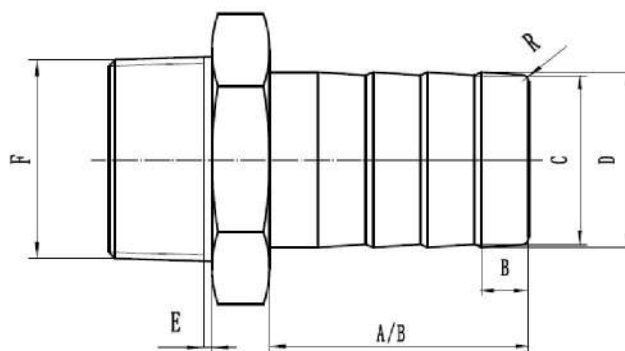
Stainless Steel 150lb Thread Pipe Fitting

Hex Nipple (HN)



Size	1/8"	1/4"	3/8"	1/2"	3/4"	1"	1 1/4"	1 1/2"	2"	2 1/2"	3"	4"
L±0.5	30	32.2	33.5	37.4	45.5	50.5	56.8	58	65.4	70.8	82.3	89
S±0.2	12.8	16	19.7	24.3	28.6	35.2	45.8	50.2	62.5	79.7	94.5	119
SW	6	6	6	6	6	6	6	6	6	8	8	8

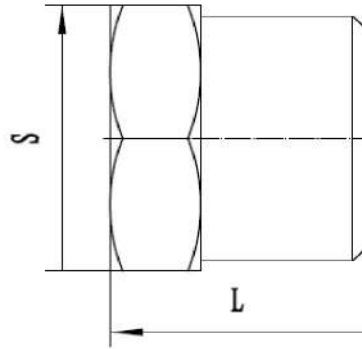
Hon Nipple (HON)



Size	1/8"	1/4"	3/8"	1/2"	3/4"	1"	1 1/4"	1 1/2"	2"	2 1/2"	3"	4"
A	20.7	24	27.4	37.2	42.8	49.5	51.50	54.5	67.8	91.3	96.5	103.5
B	4.5	5	6	8	9	10	10	11	14	18	19	20
C	5	6	9	12.5	19	25	32	38	49.5	65.5	75	102.5
D	6.5	7.5	10.5	14	20.5	26.5	34	40.3	52	68	77.5	105
E	1.5	1.5	1.5	2	2	2	2.5	2.5	2.5	3	3	3
F NPT	9.4	12.6	16.1	20.3	25.7	32.1	40.9	46.8	58.7	71.6	86.5	112.6
F BSPT	9.4	12.5	16.1	20.4	25.6	32.4	40.8	46.9	58.5	74.09	87.2	111.4

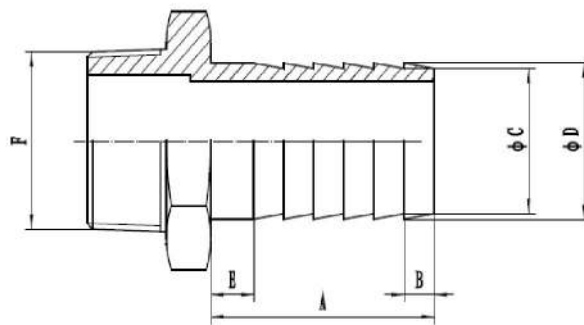
Stainless Steel 150lb Thread Pipe Fitting

Hex Plug (HP)



Size	1/8"	1/4"	3/8"	1/2"	3/4"	1"	1 1/4"	1 1/2"	2"	2 1/2"	3"	4"
L±0.5	16.9	18	18.9	22	25	27	30	31.8	35.9	38.9	43.9	50.6
S±0.5	13.6	16.6	20.6	25.8	30.5	37.5	45.4	52.1	62.5	79.2	92.2	117.2
SW	6	6	6	6	6	6	6	6	6	8	8	8

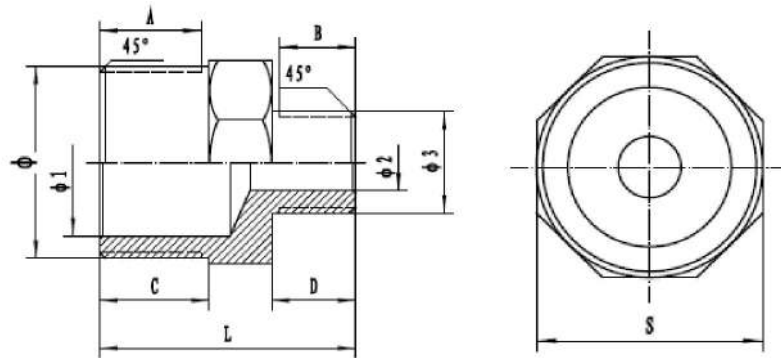
Hon Nipple (HON)- Multi-barb



Size	1/8"	1/4"	3/8"	1/2"	3/4"	1"	1 1/4"	1 1/2"	2"	2 1/2"	3"	4"
A	20.7	24	27.4	37.2	42.8	49.5	51.50	54.5	67.8	91.3	96.5	103.5
B	3.2	3.7	4.2	5.5	6.5	7.5	8	8.5	10	14	15	16
C	5	6	9	12.5	18.5	25	31	37	49.5	65.5	75	102
D	6.5	7.6	10.8	14	20.5	26.7	33	39.4	52	68	77.7	104.2
E	1.5	1.5	1.5	2	2	2	2.5	2.5	2.5	3	3	3
F NPT	9.4	12.6	16.1	20.3	25.7	32.1	40.9	46.8	58.7	71.6	86.5	112.6
F BSPT	9.4	12.5	16.1	20.4	25.6	32.4	40.8	46.9	58.5	74.09	87.2	111.4

Stainless Steel 150lb Thread Pipe Fitting

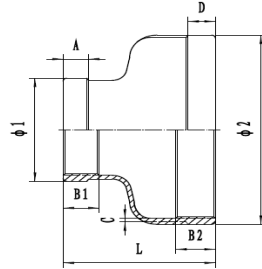
Red Hex Nipple (RHN)



Size	ø	ø1	ø2	ø3	A	B	C	D	L	S	SW no
1/4"×1/8"	14.2	8.5	5.5	11.0	12.2	8.7	12.2	11.2	30.4	15.0	6
3/8"×1/8"	17.3	11.0	5.5	11.0	12.3	8.7	14.9	12	34.2	19.8	6
3/8"×1/4"	17.3	11.0	8.5	14.2	12.3	12.2	14.2	12.3	34.7	20.4	6
1/2"×1/4"	21.8	14.2	8.5	14.5	15.5	12.2	16.7	12.8	37.7	23.8	6
1/2"×3/8"	21.8	14.2	11.0	17.5	15.5	12.3	16.7	14.5	39.3	23.7	6
3/4"×3/8"	27.5	20.0	11.0	17.5	15.8	12.3	16.2	16.2	40.5	26.7	6
3/4"×1/2"	27.5	20.0	14.0	21.8	15.8	15.3	17.6	16.2	43.2	28.7	6
1"×3/8"	34.0	26.0	10.0	18.0	19.5	12.3	19.5	14.7	45.3	36.0	8
1"×1/2"	33.8	25.0	14.0	21.8	19.5	15.5	18.8	16.6	46.3	35.4	8
1"×3/4"	33.8	25.0	20.0	27.5	19.5	15.8	18.9	16.8	46.5	35.7	8
1-1/4"×3/4"	43.5	34.5	20.0	27.5	21.5	15.8	21.0	17.0	50.5	44.8	8
1-1/4"×1"	43.5	34.5	25.5	34.0	21.5	19.5	20.8	18.6	51.4	44.7	8
1-1/2"×3/4"	49.2	40.0	20.0	27.5	21.5	15.8	23.2	17.9	53.5	50.2	8
1-1/2"×1"	49.2	40.0	25.5	34.0	21.5	19.5	21.8	18.1	52.2	50.4	8
1-1/2"×1-1/4"	49.2	40.0	34.5	43.5	21.5	21.5	21.7	20.6	54.5	50.5	8
2"×1"	61.5	52.0	25.5	34.0	25.5	19.5	25.1	18.7	57.2	62.2	8
2"×1-1/4"	61.5	52.0	34.5	43.5	25.5	21.5	25.6	21.0	59.5	62.5	8
2"×1-1/2"	61.5	52.0	49.0	40.0	25.5	21.5	26.1	21.3	60.3	62.5	8
2-1/2"×2"	76.0	64.5	50.8	61	29	24	31	25.5	70	77	6
3"×2"	91	78	51.5	61	31	24	34	26	72.5	91	6
3"×2-1/2"	91	74.5	62	76	31	27	34	29	77	93	6

Stainless Steel 150lb Thread Pipe Fitting

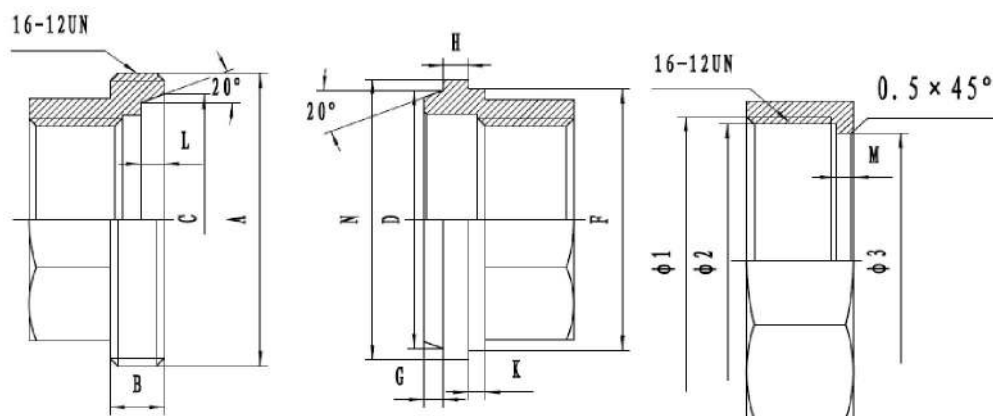
Red Socket Banded (RSB)



Size	Ø1	Ø2	L	A	D	B1	B2
1/4 ³³ *1/8 ³³	16.7	20.5	27.3				
3/8 ³³ *1/8 ³³	17.0	24.4	28.0				
3/8 ³³ *1/4 ³³	21.0	24.7	29.0				
1/2 ³³ *1/8 ³³	17.0	28.0	32.0				
1/2 ³³ *1/4 ³³	21.0	28.0	32.0				
1/2 ³³ *3/8 ³³	22.5	27.5	34.0				
3/4 ³³ *1/4 ³³	22.5	34.5	29.8				
3/4 ³³ *3/8 ³³	23.5	32.8	36.0				
3/4 ³³ *1/2 ³³	27.0	32.5	38.0				
1 ³³ *1/4 ³³	17.0	40.5	36.5				
1 ³³ *1/2 ³³	27.5	40.5	40.5				
1 ³³ *3/8 ³³	23.8	40.5	38.8				
1 ³³ *3/4 ³³	32.5	40.5	41.5				
1-1/4 ³³ *1/2 ³³	27.0	49.5	43.5				
1-1/4 ³³ *3/4 ³³	32.5	49.5	45.0				
1-1/4 ³³ *1 ³³	40.5	49.5	48.0				
1-1/2 ³³ *1/2 ³³	27.8	58.5	47.0				
1-1/2 ³³ *3/4 ³³	32.3	58.5	47.5				
1-1/2 ³³ *1-1/4 ³³	49.0	58.5	54.0				
1-1/2 ³³ *1 ³³	40.0	58.5	53.5				
2 ³³ *1/2 ³³	30.0	68.0	38.5				
2 ³³ *3/4 ³³	32.5	68.0	50.0				
2 ³³ *1 ³³	40.5	68.0	54.0				
2 ³³ *1-1/4 ³³	49.0	68.0	57.0				
2 ³³ *1-1/2 ³³	55.8	68.0	56.0				
2-1/2 ³³ *1 ³³	40.5	84.5	50.5				
2-1/2 ³³ *1-1/4 ³³	49.5	84.5	56.5				
2-1/2 ³³ *1-1/2 ³³	56.0	84.5	56.5				
2-1/2 ³³ *2 ³³	68.0	84.5	59.5				
3 ³³ *1-1/4 ³³	49.0	98.5	64.8				
3 ³³ *1-1/2 ³³	56.0	98.5	54.5				
3 ³³ *2 ³³	67.5	98.5	62.3				
3 ³³ *2-1/2 ³³	84.0	98.5	64.8				
4 ³³ *2-1/2 ³³	87.0	128.0	85.0				
4 ³³ *2 ³³	69.7	128.0	83.5				

Stainless Steel 150lb Thread Pipe Fitting

Conical F/F Union (F/F CU)



Size	1/8"	1/4"	3/8"	1/2"	3/4"	1"	1 1/4"	1 1/2"	2"	2 1/2"	3"	4"
A -0.2	23.5	23.5	28.0	33.5	40.5	50.8	59.5	67.5	81.5	97.0	111	139
B	8	8	8	9	9	10	11	12	13	15	17	20
C	15.8	15.8	21.8	25.8	31.6	41.0	50.9	56.9	71.4	86.4	99.9	126.0
D	16.5	16.5	22.5	26.5	32.5	42.0	52.0	58.0	72.5	87.5	101.0	127.5
L	4.0	4.0	4.5	5.0	5.0	6.0	6.0	7.0	7.5	7.5	8.0	9.0
G	3.0	3.0	3.5	3.5	4.0	4.5	4.5	5.0	5.5	5.5	5.5	6.5
H	2.5	2.5	3.0	2.5	4.0	5.5	6.0	6.5	7.5	7.0	7.5	7.0
K	2.5	2.5	3.0	3.0	3.0	3.0	3.5	4.0	4.0	4.0	4.0	4.0
N	21.5	21.5	26.0	31.0	38.0	48.5	57.0	65.0	79.0	94.5	108.5	136.5
F	19.5	19.5	23.5	28.3	35.0	44.0	53.0	61.5	74.5	90.0	104	132
Ø1	24.5	24.5	29.0	35.4	42.4	52.6	62.2	69.4	83.4	98.	112.4	140.4
Ø2	22.0	22.0	26.5	31.5	38.5	48.8	57.5	65.5	79.5	95.0	109	137
Ø3	20.0	20.0	24.0	29.0	35.5	44.5	53.5	62.0	75.0	90.5	104.5	132.5
M	2.5	2.5	3.0	3.0	3.0	3.0	3.5	4.0	4.0	4.0	4.0	4.0
UN	16	16	16	12	12	12	12	12	12	12	12	12